

6

5

4

3

2

1

REVISION RECORD			
LTR	ECO NO:	APPROVED:	DATE:

D

D

C

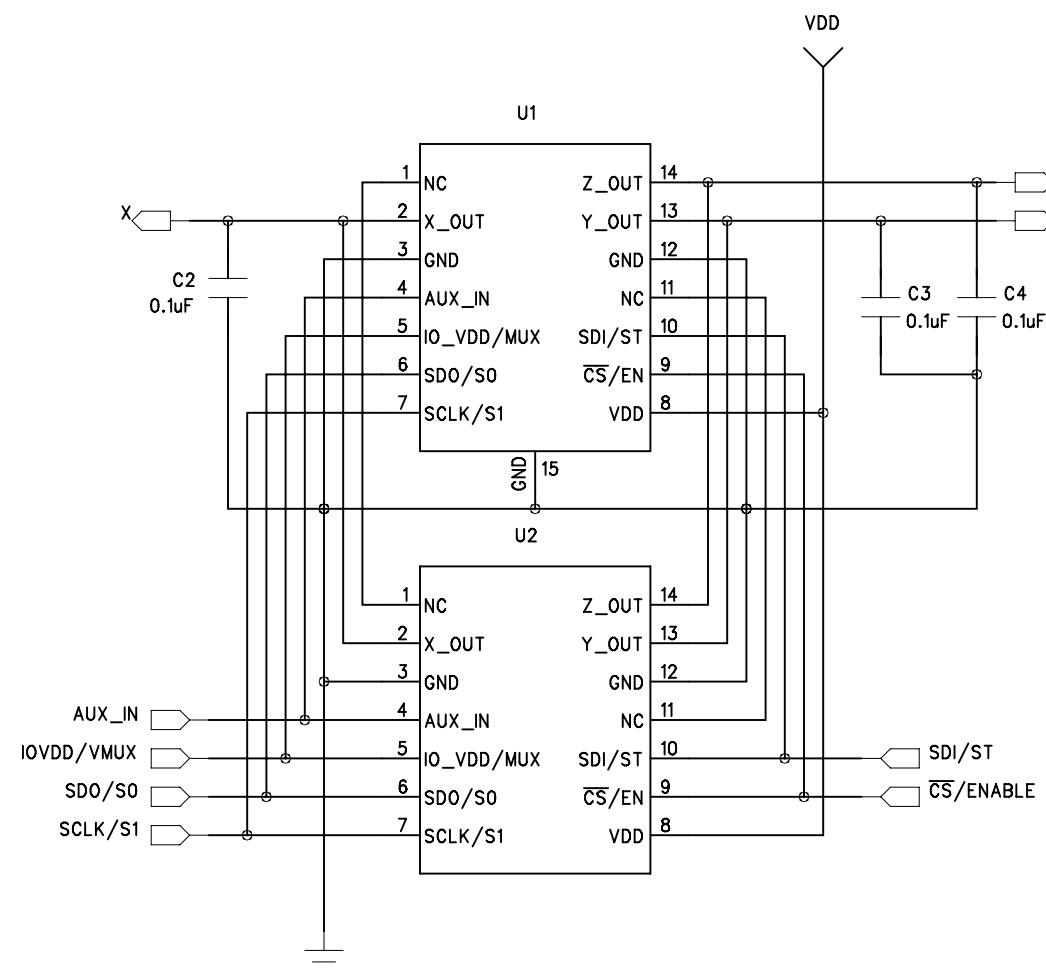
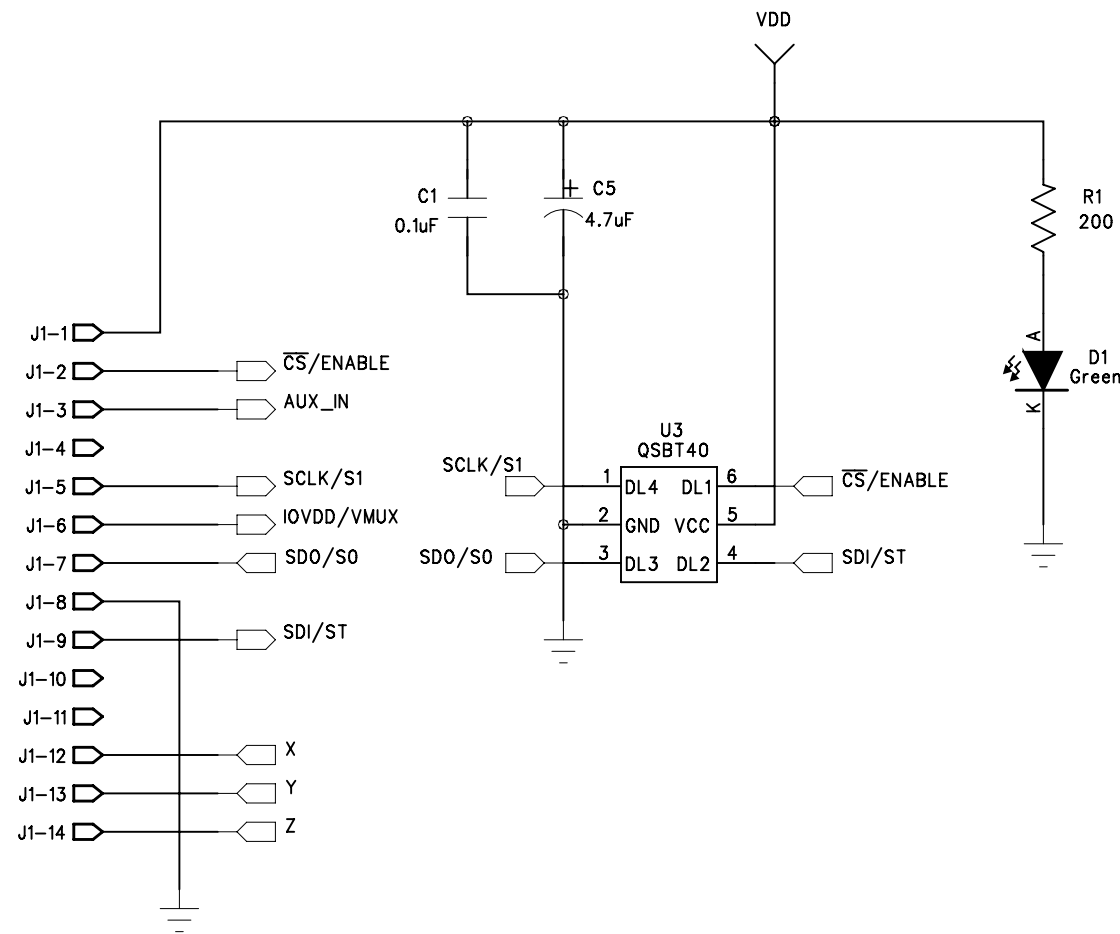
C

B

B

A

A



COMPANY: Kionix, Inc.			
TITLE: KX_94 Evaluation Board Rev 1			
DRAWN: Bob Ross	DATED: 5/16/08	CODE:	REV: 0
CHECKED:	DATED:	SIZE: B	DRAWING NO: KAMMDM001R32
QUALITY CONTROL:	DATED:	SHEET: 1 OF 1	
RELEASED:	DATED:	SCALE:	

DRAWN: Bob Ross	DATED: 5/16/08
CHECKED:	DATED:
QUALITY CONTROL:	DATED:
RELEASED:	DATED: